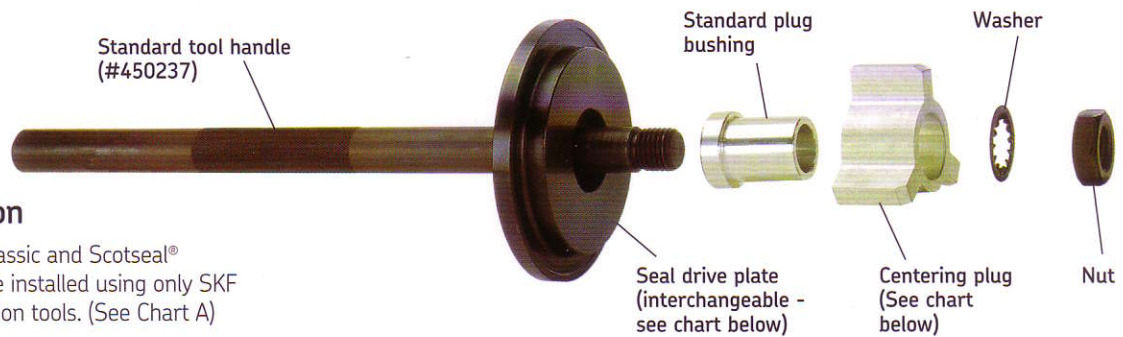




Scotseal® installation tooling guide



Tool selection

SKF Scotseal® Classic and Scotseal® Longlife are to be installed using only SKF Scotseal installation tools. (See Chart A)

Centering the seal

Precisely matched centering plugs are engineered to fit within the inside diameter of the inner bearing cone and allow accurate centering of the Scotseal in the bore of the hub, as well as preventing cocking of the seal. Chart B below provides correct matchup of bearing cone and centering plug.

Chart A Drive plates & seal matchups (Drive plates in bold numbers with matching seal numbers)			
427	441	451	463
34387	40086	46305	27438
36274	40090	46306	28758
36285		46308	28820
36358	445		28832
36365	39380	452	
	39420	42623	465
428	39425	42624	43752
31175	42550	42630	43764
31244	42672	42631	43765
31264	42800		43800
31266		453	
31281	446	50190	472
31307	43860	52660	39380
32470	43865	52664	(w/disc brks.)
	43875		
435	46390	457	
47690	47483	40040	474
47693	48297	40136	52658
47696	48298	40139	
47697	48690	40146	484
47698	48792	40147	44922
48000	48794		44964
	48796	461	45010
436	48884	45152	45099
34975	50124	45160	45100
35000		45162	45103
35001	448	45163	45108
35060	38709		
35066	39988	462	450737
35072	39990	38747	42625
35075		38750	
35102	449	38780	
35103	47686	38782	
		38783	

Chart B Matchup of bearing cones & centering plugs			
Bearing cone no.	Centering plug no.	Bearing cone no.	Centering plug no.
495AX	708	5760	708
497	711	6379	705
539	701	6386	706
555S	702	6386A	706
557A	703	6389	706
559	704	6461	708
560	706	6461A	708
567	707	6559	710
568	731	6580	712
575	708	28995	703
580	710	33281	716
582	710	33287	707
593	712	33895	701
594	715	39578	701
594A	715	39580	702
595	710	39581	702
596	711	39585	704
598	714	42688	708
598A	714	45284	700
639	704	45285	700
641	706	47678	708
659	708	47685	710
663	710	47686	710
663A	710	47687	710
664	732	52400	718
665	711	52401	718
665A	711	JH217249	719
681A	714	JM205149 A	722
683	715	JM207049 A	723
687	718	JM511946	724
749	719	JM716649	719
749A	710	JM718149	713
749S	719	JM719149	733
756A	709	HM212044	703
758	711	HM212046	704
759	712	HM212047	704
760	717	HM212049 X	706
776	715	HM212049	706
780	718	HM215249	707
3778	730	HM218248	713
3982	704	HM516449	710
3984	706	HM518445	712
4595	701	H715345	716
5557	721		